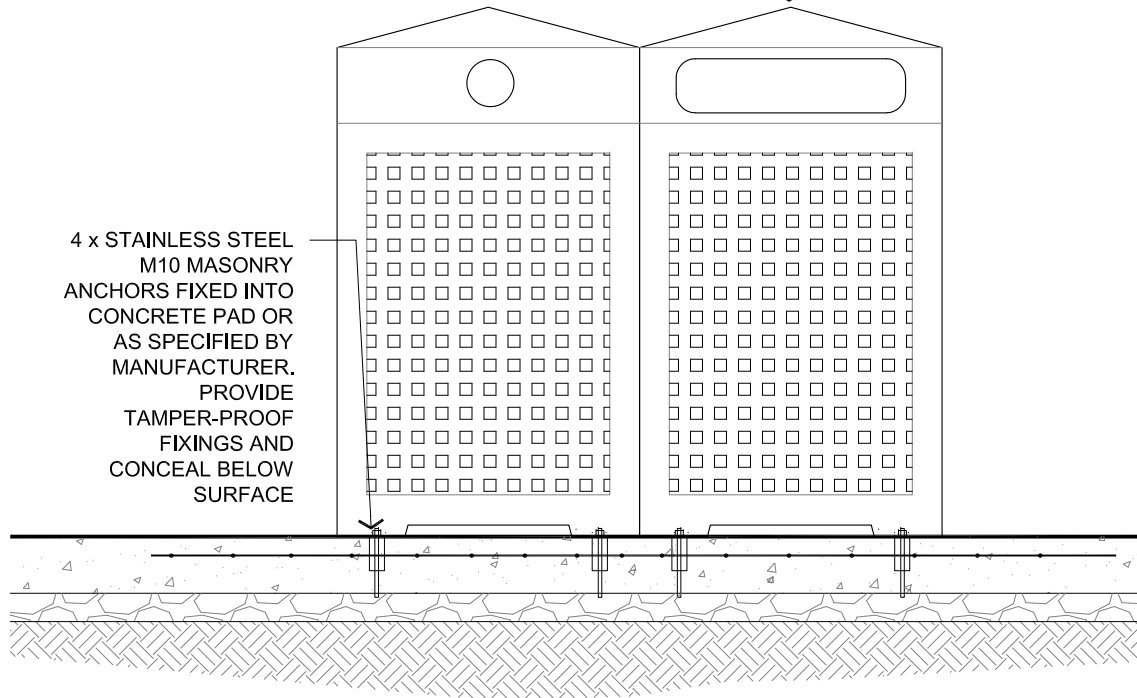


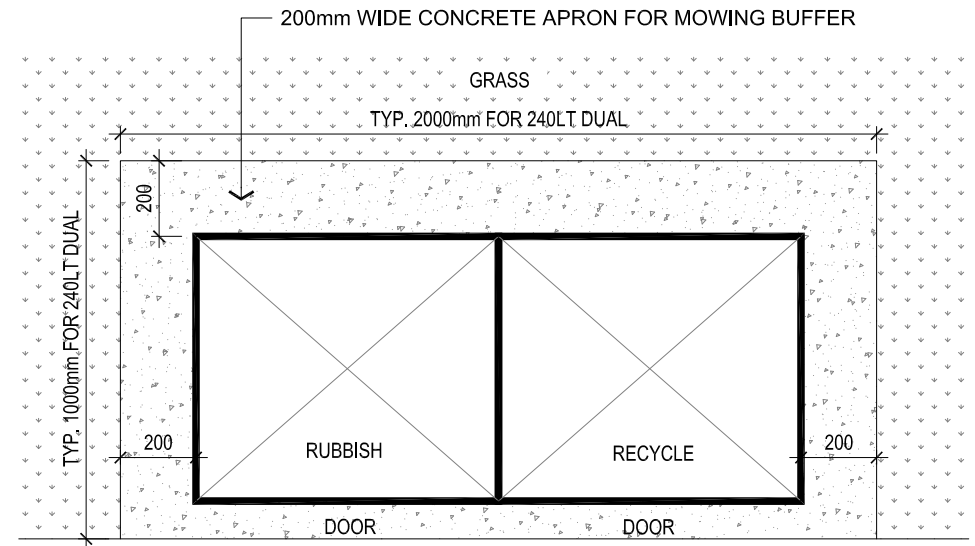
TYPICAL 240 LT-D MODULAR PERFORATED STAINLESS STEEL DUAL GENERAL/RECYCLE BIN SURROUNDS WITH MILD STEEL LIDS POWDERCOATED RED FOR GENERAL WASTE AND YELLOW FOR RECYCLED WASTE AS NOMINATED BY COUNCIL.  
RUBBISH BIN TO HAVE RED POWERCOATED MS CAP, RECYCLING BIN TO HAVE YELLOW POWDERCOATED MS CAP.

120 LITRE TO BE INSTALLED WHERE REQUIRED AS CONFIRMED BY SUPERINTENDENT.  
PLACE RUBBISH BIN ON LEFT, RECYCLING BIN ON RIGHT.  
ENSURE BOTH ARE INSTALLED TOGETHER WITH SIDE EDGES ABUTTING WITH NO GAP



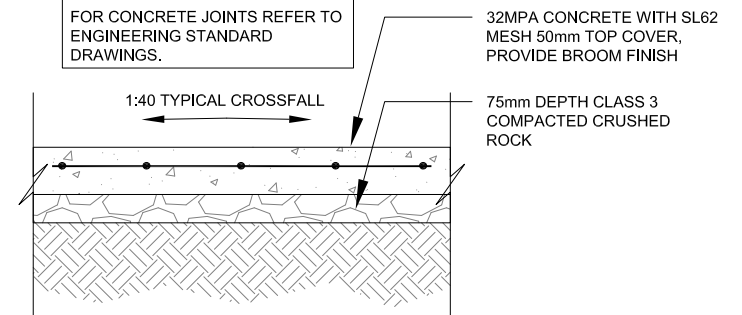
4 x STAINLESS STEEL M10 MASONRY ANCHORS FIXED INTO CONCRETE PAD OR AS SPECIFIED BY MANUFACTURER. PROVIDE TAMPER-PROOF FIXINGS AND CONCEAL BELOW SURFACE

01 DUAL BIN SURROUNDS CROSS SECTION 1:20



02 DUAL BIN SURROUNDS PLAN 1:20

NOTE:  
FOR CONCRETE JOINTS REFER TO ENGINEERING STANDARD DRAWINGS.



03 CONCRETE SLAB DETAIL 1:20



PO Box 119  
1079 Pascoe Vale Road  
Broadmeadows  
Victoria 3047  
Telephone  
(03) 9205 2200  
Facsimile  
(03) 9309 0109  
<http://www.hume.vic.gov.au>

STATUS: REVIEWED  
DRAWN: S.ZHOU  
UPDATED: 08 / 2019  
SCALE: 1:20 @A4

STANDARD LANDSCAPE DRAWING

BIN SURROUNDS

DRAWING NO.

SLD - 5.6