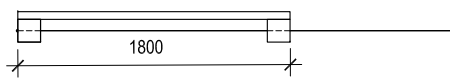
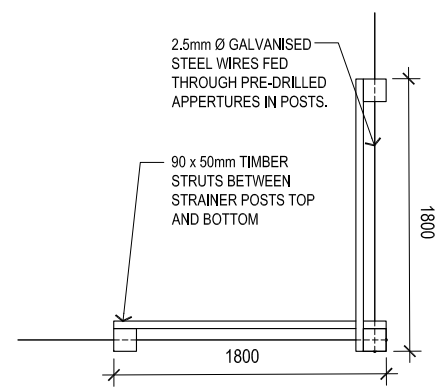


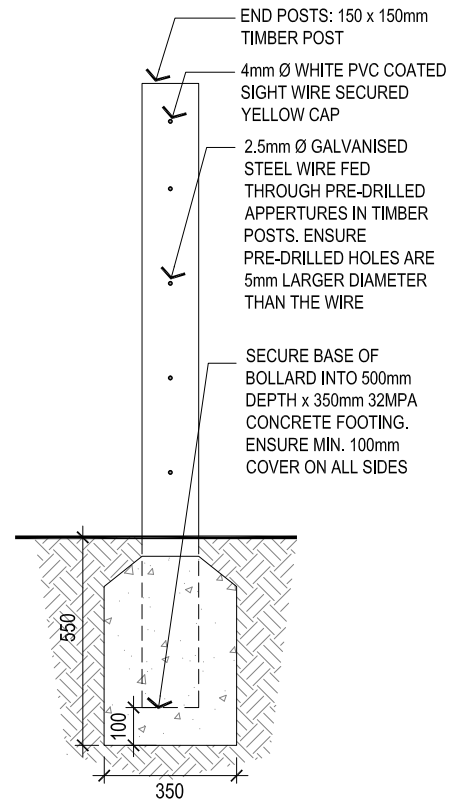
01 WIRE FARM FENCING SECTION



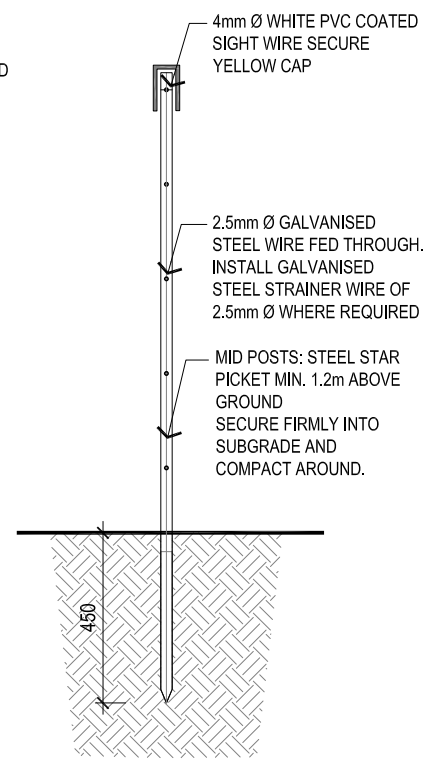
02 END POSTS PLAN



03 CORNER POSTS PLAN



03 WIRE FARM FENCING END POST CROSS SECTION



04 WIRE FARM FENCING MID POST CROSS SECTION

NOTES:

FOOTING:

ENSURE FIXTURES ARE CONCEALED BELOW SURFACE LEVEL.

APPROVED END TIMBER POST MATERIALS:

- AFCS/FSC Australian Hardwood Timber
- Reclaimed Australian Hardwood Timber
- ACQ treated pine.

TIMBER MUST BE FREE FROM SPLITS AND OBVIOUS SPLINTERS.