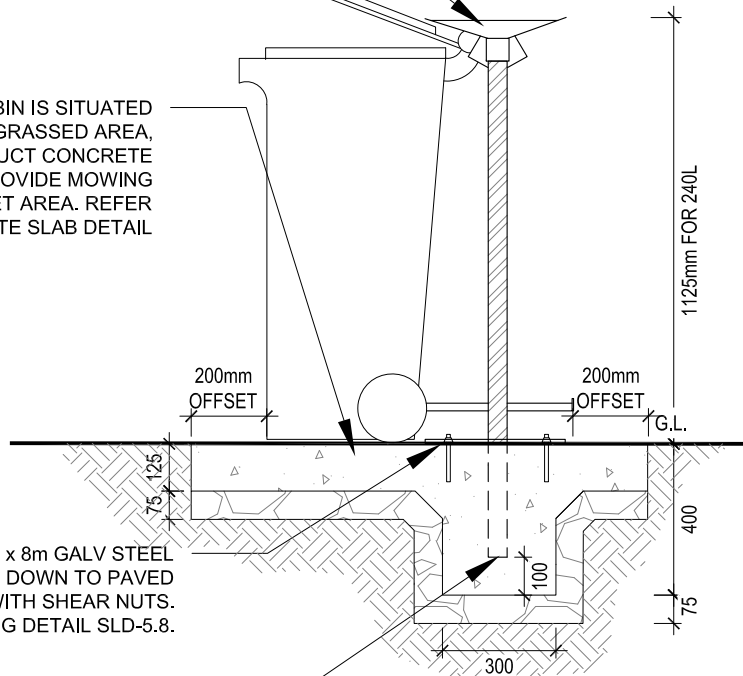


TYPICAL SINGLE OR DOUBLE
LOCKED PLAIN GALVANISED
STEEL SECURITY POST
SUITABLE FOR 120 AND 240 LITRE
PLASTIC WHEELED BINS

WHERE BIN IS SITUATED
WITHIN GRASSED AREA,
CONSTRUCT CONCRETE
PAD TO PROVIDE MOWING
OFFSET AREA. REFER
CONCRETE SLAB DETAIL



OPTIONAL 300 x 300 x 8mm GALV STEEL
BASE PLATE BOLTED DOWN TO PAVED
SURFACE OR POST WITH SHEAR NUTS.
REFER FIXING DETAIL SLD-5.8.

BIN SECURITY POST EXTENDED INTO 400
x 300 x 300mm CONCRETE FOOTING.
FOR CONCRETE SLAB DIMENSIONS
REFER TYPICAL SECURITY POST AND BIN
LAYOUT DETAIL

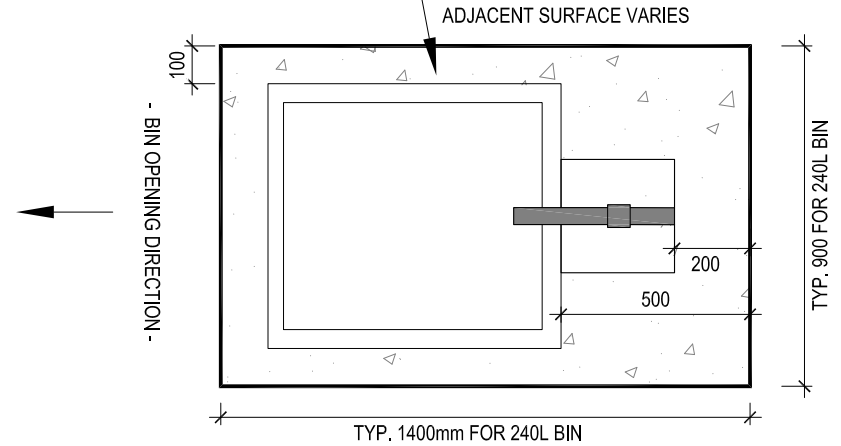
01 TYPICAL BIN SECURITY POST
CROSS SECTION 1:20

NOTE:

BIN SECURITY POST ONLY TO BE USED IN RESERVE ENVIRONMENTS,
NOT STREETSAPES.

TYPICAL FOOTING DEPTH SHOWN. MAY VARY DEPENDING ON
INDIVIDUAL SITE SOIL REACTIVITY.

1400 x 900 x 125mm DEEP 32MPA
CONCRETE WITH OFFSET FOR
MOWING EDGE.
REFER CONCRETE SLAB DETAIL

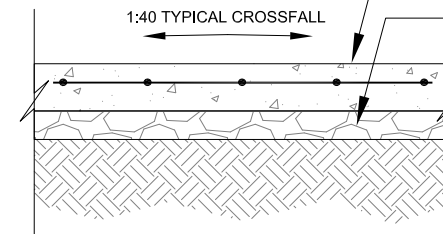


02 TYPICAL SECURITY POST AND BIN LAYOUT
PLAN 1:20

NOTE:

FOR CONCRETE JOINTS REFER TO
ENGINEERING STANDARD
DRAWINGS.

32MPA CONCRETE WITH SL62
MESH 50mm TOP COVER,
PROVIDE BROOM FINISH



03 CONCRETE SLAB DETAIL
DETAIL 1:20