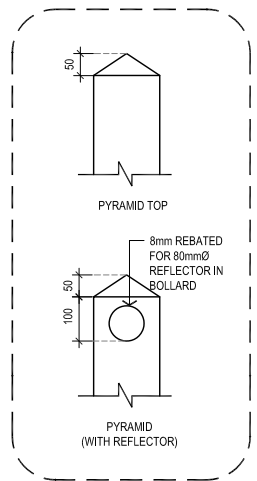
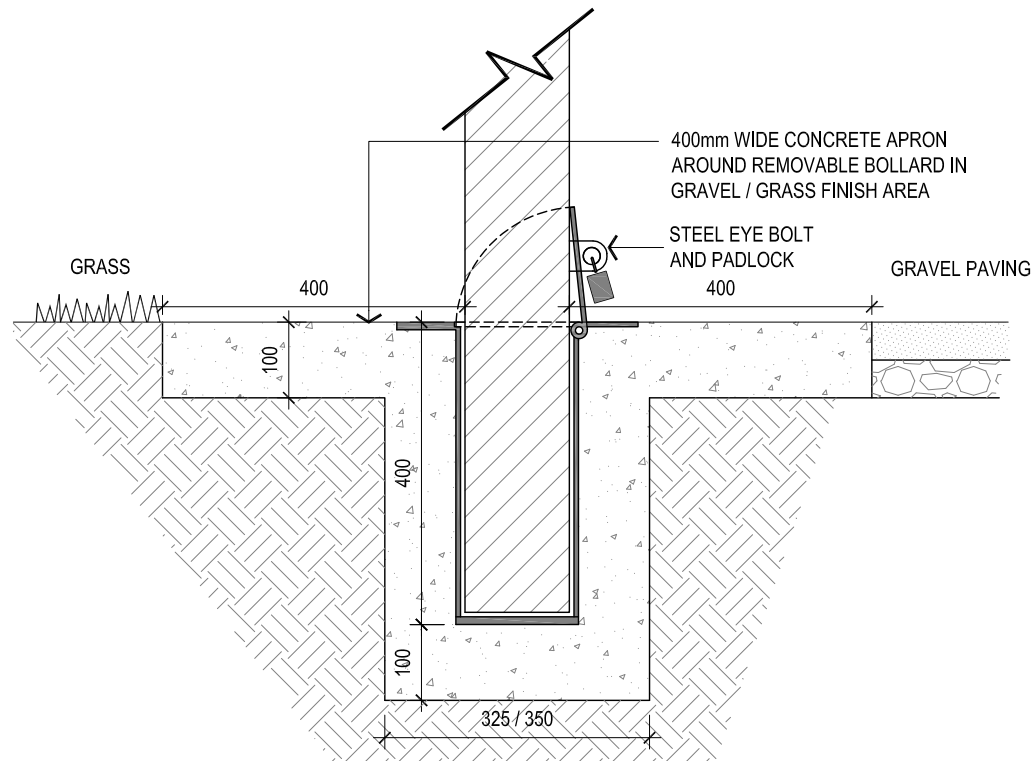


1 REMOVABLE BOLLARD - CONCRETE PAVING
SCALE 1:10



2 BOLLARD TOP FORM
ELEVATION SCALE: NTS



3 REMOVABLE BOLLARD - OTHER FINISH
DETAIL SECTION SCALE 1:10

NOTES:

1. BOLLARD / POST WIDTHS:

- 125 x 125mm
- 150 x 150mm

2. APPROVED BOLLARD MATERIALS:

- Solid Wood Plastic Composite
- Solid Recycle Plastic
- Dark color (dark grey/charcoal/black)

3. SPACING:

Removable Bollards to be spaced at max 1.5m intervals. To vary depending on site and need.