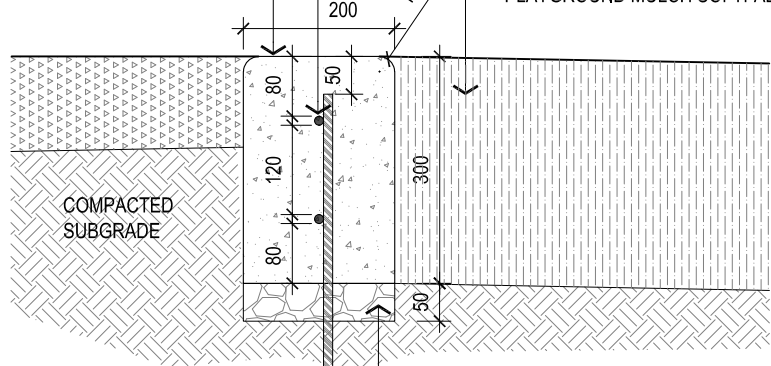


300 x 200mm 32MPa IN-SITU CONCRETE EDGE WITH 20mm RADIUS TO ALL EDGES AND CORNERS. ADJACENT SURFACE FLUSH FINISH TO CONCRETE EDGE.

Ø12mm MILD STEEL DEFORMED BARS THROUGH FULL LENGTH OF CONCRETE EDGE.

PLAYGROUND MULCH SOFTFALL.



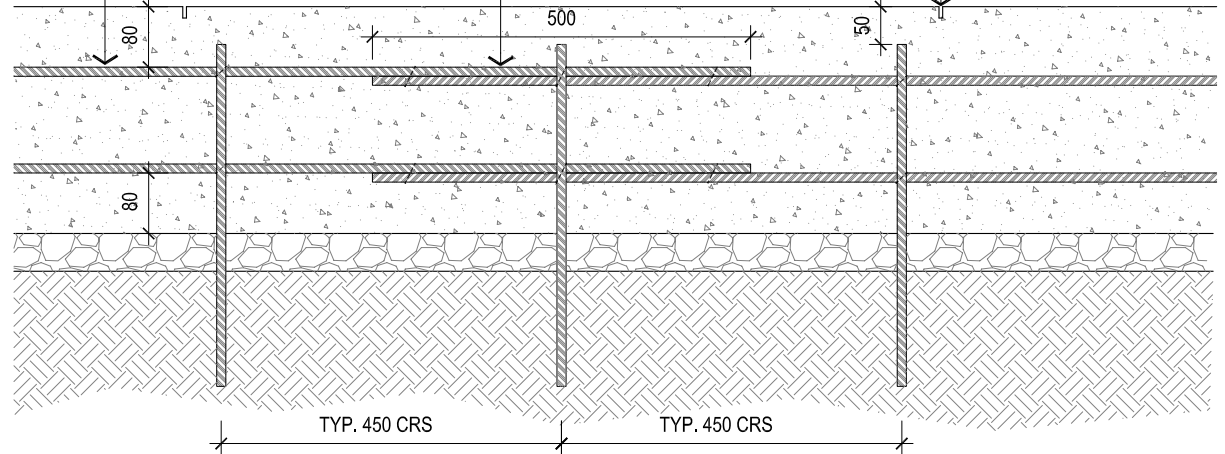
50mm DEPTH COMPACTED CLASS 3 CRUSHED ROCK ON COMPACTED SUBGRADE

Ø12mm 450mm LONG MILD STEEL DEFORMED TIE BAR @450mm NOM. CENTRES.

Ø12mm DEFORMED MILD STEEL BARS THROUGH FULL LENGTH OF CONCRETE EDGE.

NOM. 500mm OVERLAPPING STEEL BARS WITH 3 TIE WIRES AND 1 STEEL TIE BAR

CONTRACTION JOINT 10-15mm DEEP SAW CUT. SPACING EVERY 1000mm.



01

REINFORCED CONCRETE EDGE DETAIL

SLD -7.1 DETAIL CROSS SECTION

SCALE 1:10

02

REINFORCED CONCRETE EDGE DETAIL

SLD -7.1 DETAIL SIDE SECTION

SCALE 1:10

NOTES:

REINFORCED CONCRETE EDGE CAN BE USED AS PLAYGROUND EDGE OR MOWING STRIP.

REFER TO HUME CC STANDARD ENGINEERING DRAWINGS FOR JOINT DETAILS.



PO Box 119
1079 Pascoe Vale Road
Broadmeadows
Victoria 3047
Telephone
(03) 9205 2200
Facsimile
(03) 9309 0109
<http://www.hume.vic.gov.au>

STATUS: FOR REVIEW

CREATED: 13/08/2018

UPDATE DATE: -

SCALE: 1:10@A4

STANDARD LANDSCAPE DRAWING

REINFORCED CONCRETE EDGE

DRAWING NO.

SLD - 7.1