

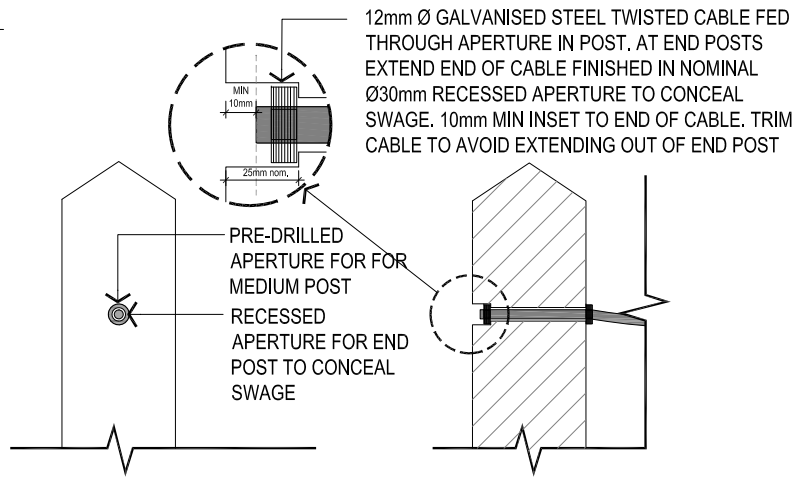
1 BOLLARD
DETAIL SECTION SCALE 1:20

TOP OF BOLLARD - REFER DETAIL 6

12mm Ø GALVANISED STEEL TWISTED CABLE AND CRIMP CABLE WITH CLIPS AT BOTH SIDES OF POST

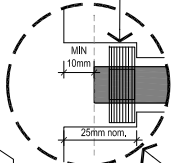
150mm BRIDGE SPIKE INSERTED 50mm INTO POST WHERE SPECIFIED BY SUPERINTENDENT OR PROVIDE PRE-DRILLED 50mm Ø HOLE IN CENTRE OF POST

G.L.

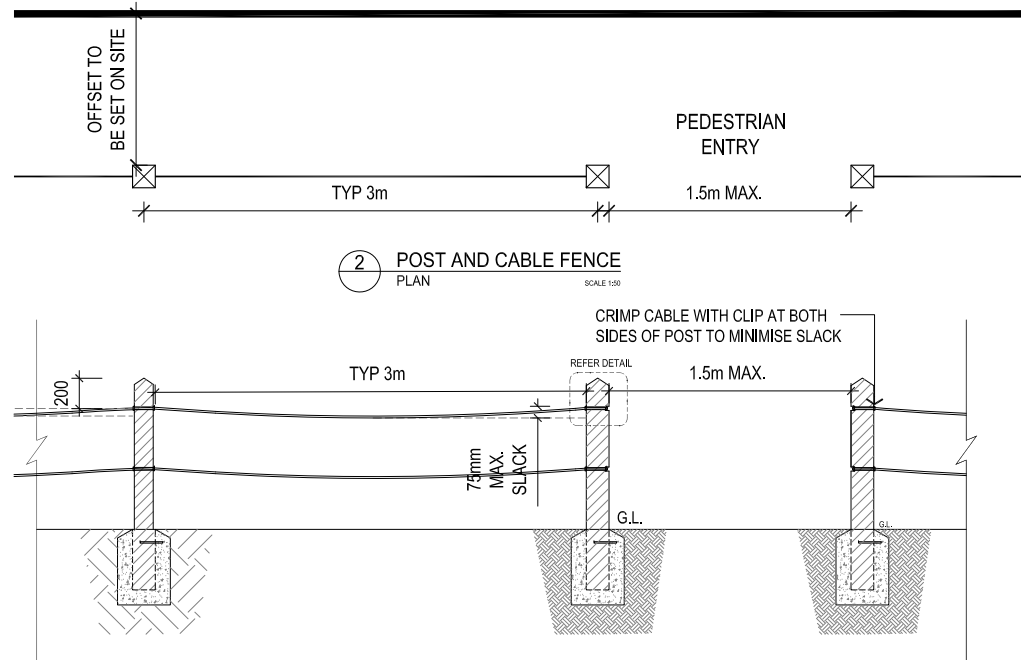


4 CABLE ASSEMBLY
CROSS SECTIONS SCALE 1:10

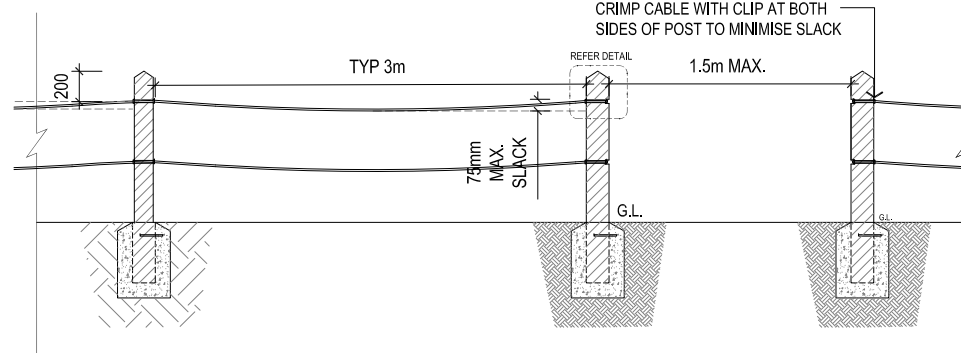
12mm Ø GALVANISED STEEL TWISTED CABLE FED THROUGH APERTURE IN POST. AT END POSTS EXTEND END OF CABLE FINISHED IN NOMINAL Ø30mm RECESSED APERTURE TO CONCEAL SWAGE. 10mm MIN INSET TO END OF CABLE. TRIM CABLE TO AVOID EXTENDING OUT OF END POST



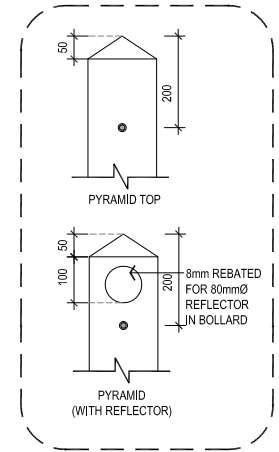
5 END CABLE ASSEMBLY
CROSS SECTIONS SCALE 1:10



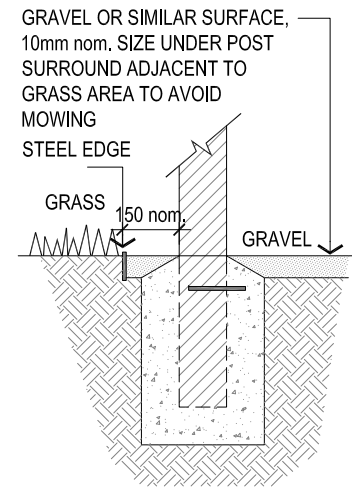
2 POST AND CABLE FENCE
PLAN SCALE 1:50



3 POST AND CABLE FENCE
ELEVATION / SECTION SCALE 1:50



6 BOLLARD TOP FORM
ELEVATION SCALE: NTS



7 OPTIONAL - GRAVEL FINISHING
SECTION SCALE 1:20

GRAVEL OR SIMILAR SURFACE, 10mm nom. SIZE UNDER POST SURROUND ADJACENT TO GRASS AREA TO AVOID MOWING STEEL EDGE

GRASS 150 nom. GRAVEL

NOTES:

BOLLARD / POST WIDTHS:

- 125 x 125mm
- 150 x 150mm

APPROVED BOLLARD MATERIALS:

- Solid Wood Plastic Composite
- Solid Recycle Plastic, charcoal color