

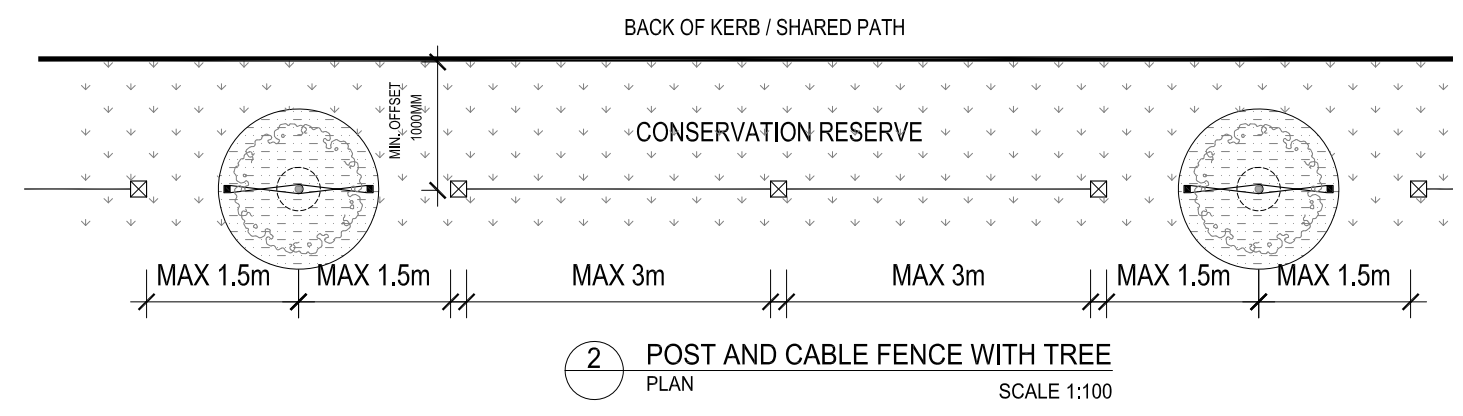
1 BOLLARD
DETAIL SECTION SCALE 1:20

TOP OF BOLLARD - REFER DETAIL 6

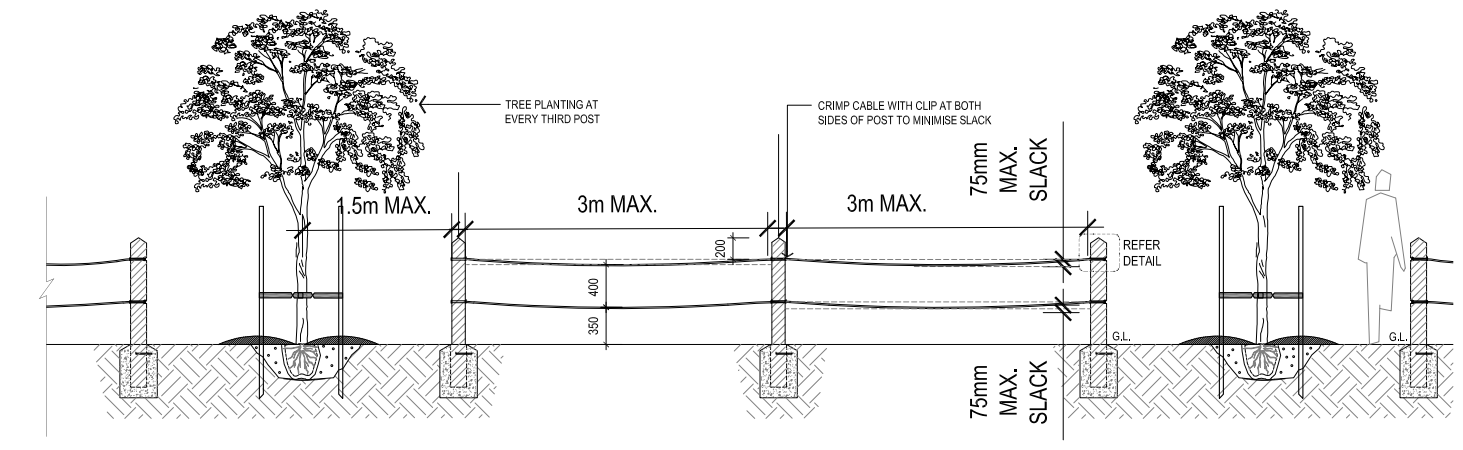
12mm Ø GALVANISED STEEL TWISTED CABLE AND CRIMP CABLE WITH CLIPS AT BOTH SIDES OF BOLLARD

150mm BRIDGE SPIKE INSERTED 50mm INTO POST OR PROVIDE PRE-DRILLED 50mm Ø HOLE IN CENTRE OF BOLLARD

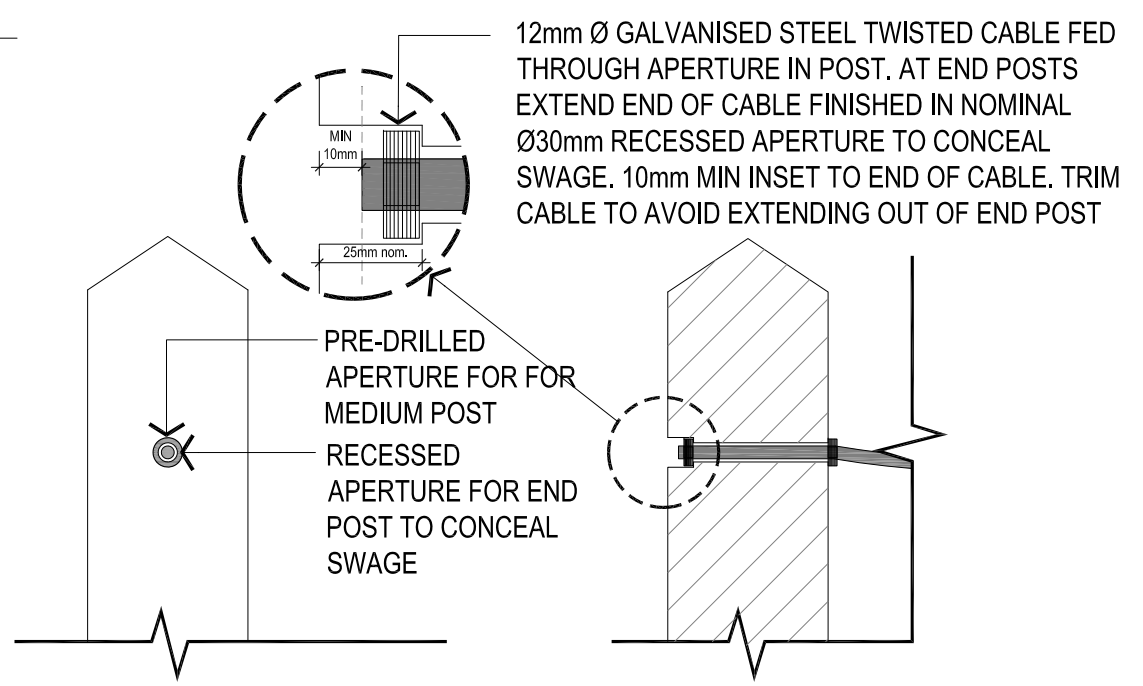
MIN. 25MPA CONCRETE FOOTING, WITH CHAMFERED EDGE.



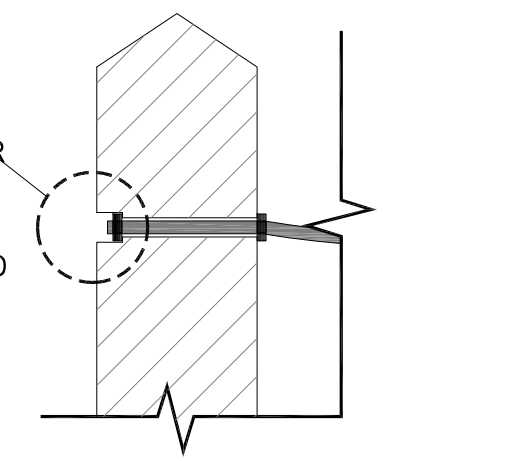
2 POST AND CABLE FENCE WITH TREE
PLAN SCALE 1:100



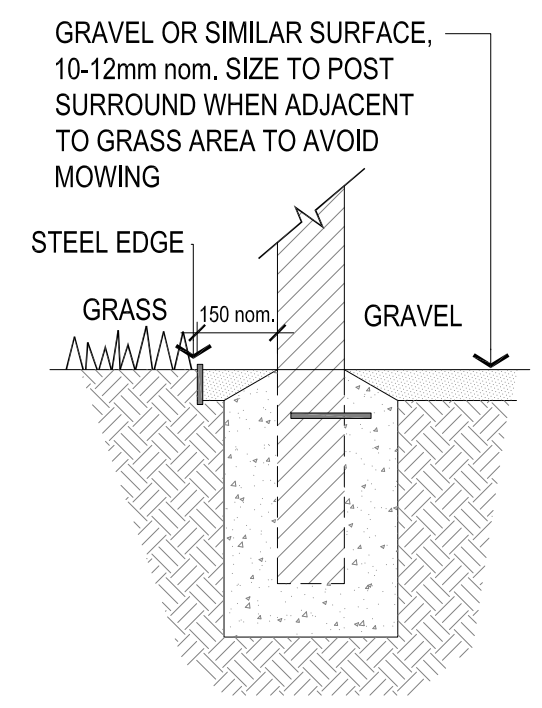
3 POST AND CABLE FENCE WITH TREE
ELEVATION / SECTION SCALE 1:100



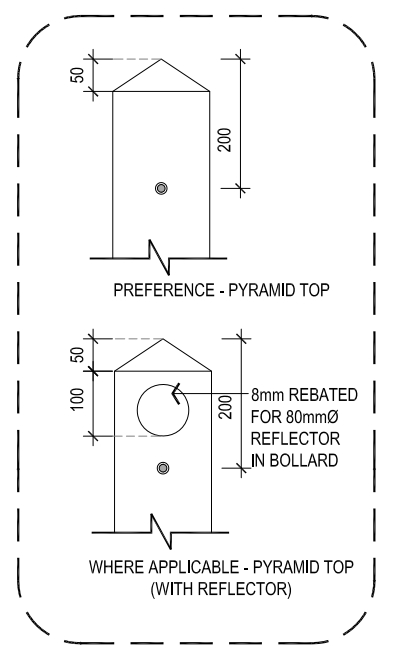
4 CABLE ASSEMBLY
CROSS SECTIONS SCALE 1:10



5 END CABLE ASSEMBLY
CROSS SECTIONS SCALE 1:10



7 OPTIONAL - GRAVEL FINISHING
SECTION SCALE 1:20



6 BOLLARD TOP FORM
ELEVATION SCALE: NTS

NOTES:

FINAL SETOUT TO BE CONFIRMED ONSITE WITH COUNCIL

BOLLARD / POST WIDTHS:

- 125 x 125mm
- 150 x 150mm

APPROVED BOLLARD MATERIALS:

- Solid Plastic Composite, charcoal colour
- Solid Recycled Plastic, charcoal colour