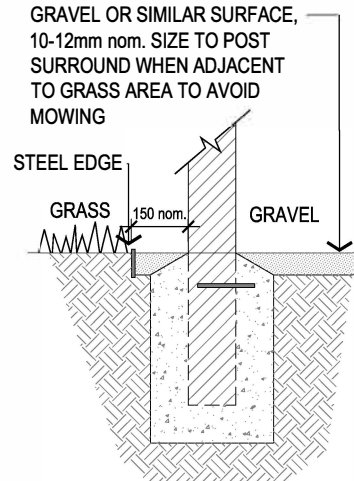
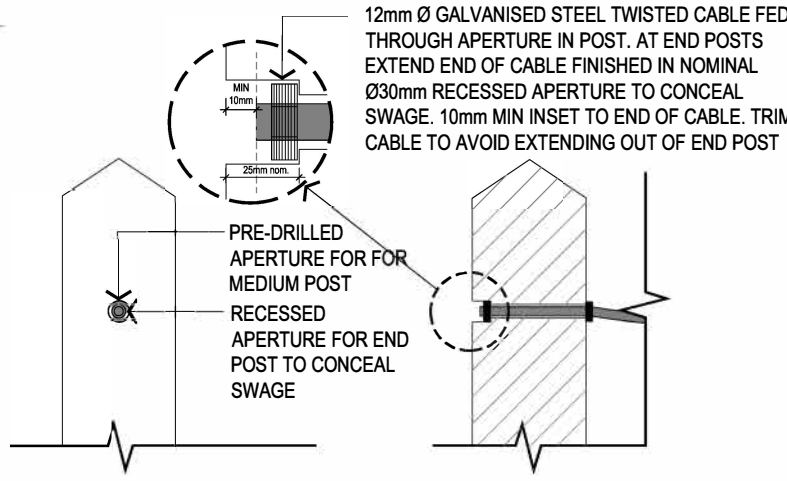
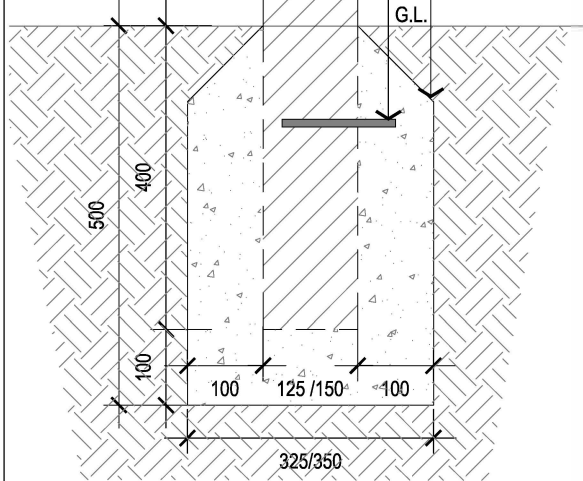
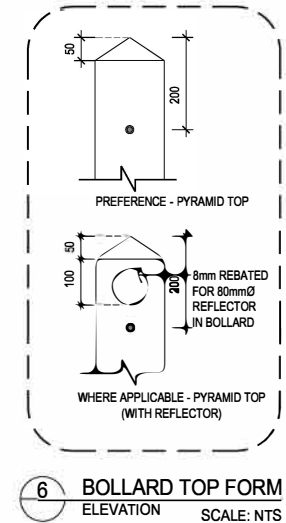
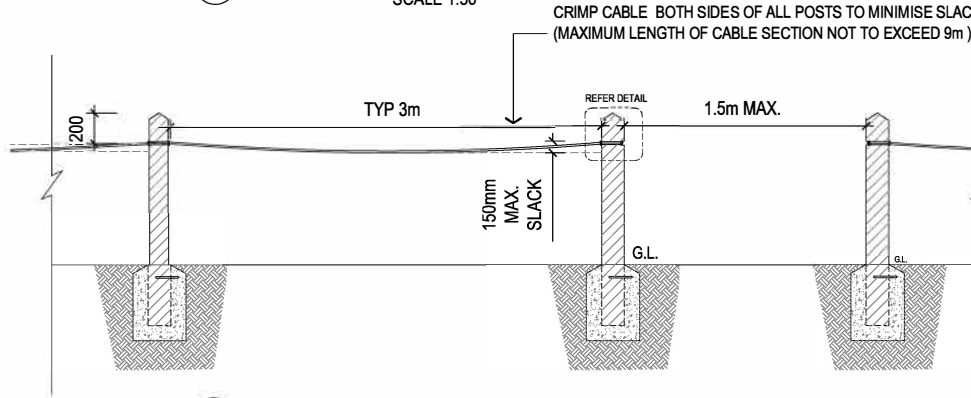
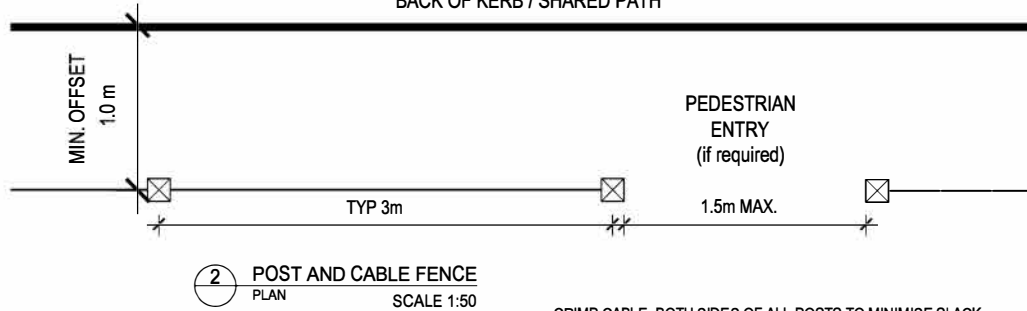
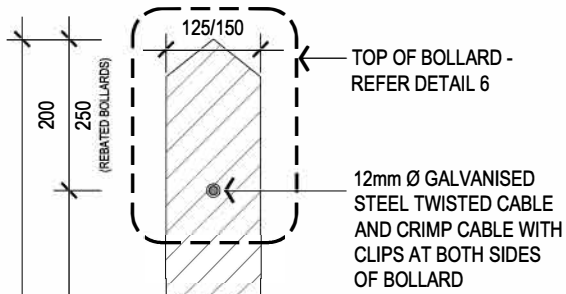


BACK OF KERB / SHARED PATH



NOTES:
 FINAL SETOUT TO BE CONFIRMED ONSITE WITH COUNCIL
BOLLARD / POST WIDTHS:
 • 125 x 125mm
 • 150 x 150mm
APPROVED BOLLARD MATERIALS:
 • Solid Plastic Composite, charcoal colour
 • Solid Recycled Plastic, charcoal colour

1 BOLLARD DETAIL SECTION SCALE 1:20

4 CABLE ASSEMBLY CROSS SECTIONS SCALE 1:10

5 END CABLE ASSEMBLY CROSS SECTIONS SCALE 1:10

7 OPTIONAL - GRAVEL FINISHING SECTION SCALE 1:20



PO Box 119
 1079 Pascoe Vale Road
 Broadmeadows
 Victoria 3047
 Telephone
 (03) 9205 2200
 Facsimile
 (03) 9309 0109
<http://www.hume.vic.gov.au>

STATUS: FOR USE
 DRAWN: 28/03/2014
 UPDATED: 03/04/2024
 SCALE: AS SHOWN

STANDARD LANDSCAPE DRAWING

FENCING - POST AND SINGLE CABLE
 - FOR OPEN SPACE RESERVES

DRAWING NO.

SLD - 3.1