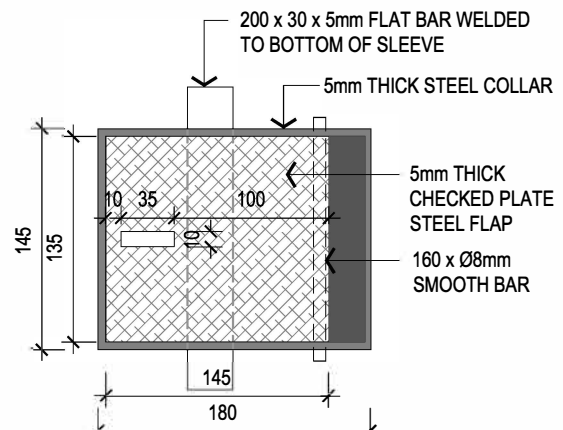
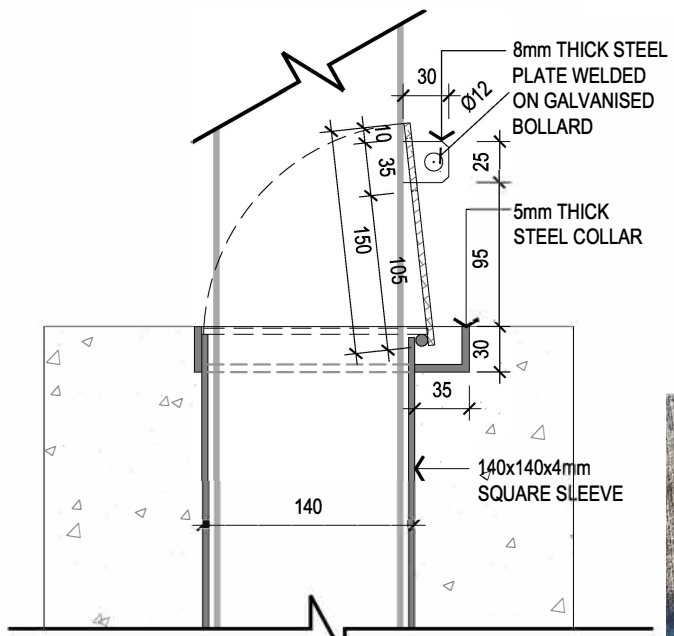


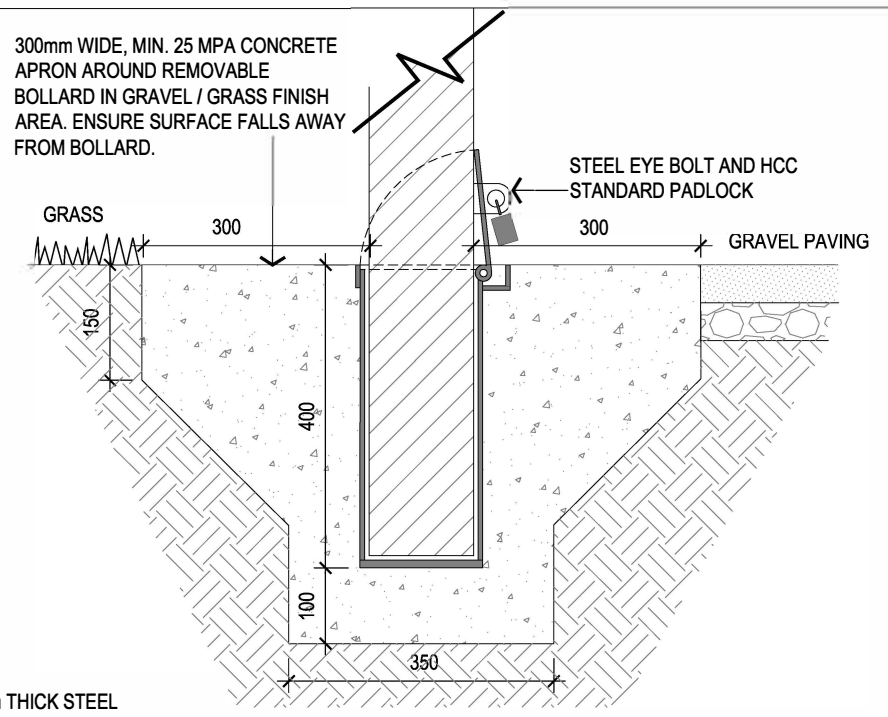
1 REMOVABLE BOLLARD AND CONCRETE FOOTING
DETAIL SECTION SCALE 1:10



2 SLEEVE DETAILS
PLAN SCALE 1:5



3 SLEEVE DETAILS
DETAIL SECTION SCALE 1:5



4 REMOVABLE BOLLARD - OTHER FINISH
DETAIL SECTION SCALE 1:10

NOTES:
FINAL SETOUT TO BE CONFIRMED
ONSITE WITH COUNCIL.



SLEEVE REFERENCE IMAGE



BOLLARD REFERENCE IMAGE



BOLLARD REFERENCE IMAGE



PO Box 119
1079 Pascoe Vale Road
Broadmeadows
Victoria 3047
Telephone
(03) 9205 2200
Facsimile
(03) 9309 0109
<http://www.hume.vic.gov.au>

ISSUE:	FOR USE
DRAWN:	28/03/2023
UPDATED:	03/04/2024
SCALE:	AS SHOWN

STANDARD LANDSCAPE DRAWING

BOLLARD - REMOVABLE GALVANISED

DRAWING NO.

SLD - 2.3 A